

**JMG Cranes S.p.A.**

Sales & Service Office

Via Bergamo, 142

26100 Cremona - Italy

t +39 0372 1786738

Production Plant

Via Sito Nuovo 14

29010 Sarmato (PC) - Italy

t +39 0523 8486

e [info@jmgcranes.com](mailto:info@jmgcranes.com)



Data subject to change without prior notice  
Edition 03/2020 © 2020 JMG Cranes S.p.A. All rights reserved  
Rev.1 - 03/20

# LIGE

ELECTRIC PICK & CARRY CRANES

SINCE 1945



Lige60



# LIGE60 13200 lbs

<b>BATTERY:</b>	80 V - 540 Ah. Battery meter indicator on dashboard.
<b>BRAKE:</b>	Service brake: hydraulic with pedal control. Handbrake: hydraulic with automatic control.
<b>FRAME:</b>	Fabricated from preformed and welded quality steel plate with built-in counterweight.
<b>WHEELS:</b>	Front: 2 superelastic wheels 250-15". Rear: 2 superelastic wheels 21x8-9".
<b>BOOM:</b>	Telescoping boom with 4 elements: 1 base fixed and 3 with hydraulic development on the teflon bearing strips. Angle boom: +55° / - 17°.
<b>TRACTION ENGINE:</b>	Electric motors 2x7.5 kW, 80V. AC controlled by inverter. Insulation class H.
<b>STEERING :</b>	Rear by hydraulic motor controlled by an hydrostatic power steering with load sensing valve. The power of the hydrostatic system is guaranteed by the hydraulic circuit of the crane.
<b>MOTOR PUMP:</b>	Electric motor 12 kW - 80 V AC. Insulation class H.
<b>L.M.I.:</b>	Electronic load moment indicator system complying to CE safety standards, complete with display indicating: load lifted, maximum admitted load, tilting percentage, operating radius, angle, outreach and complete with warning lights of the operating status.
<b>WEIGHT:</b>	14080 lbs
<b>OPTIONS ON REQUEST:</b>	Hydraulic winch, manual jib, non - marking tires, ATEX transformations.
<b>CRANE CLASSIFICATION ACCORDING TO UNI ISO 4301-1:</b>	A3
<b>EU STANDARDS CE:</b>	2006/42 CE MD - 2014/30 CE EMC - 2006/95 CE LVD - 2000/14 CE and subsequent modifications.
<b>REFERENCE STANDARDS:</b>	EN 13000: 2010 UNI ISO 4301-2:2011 and subsequent modifications.



CONFORTABLE CABIN



DASHBOARD

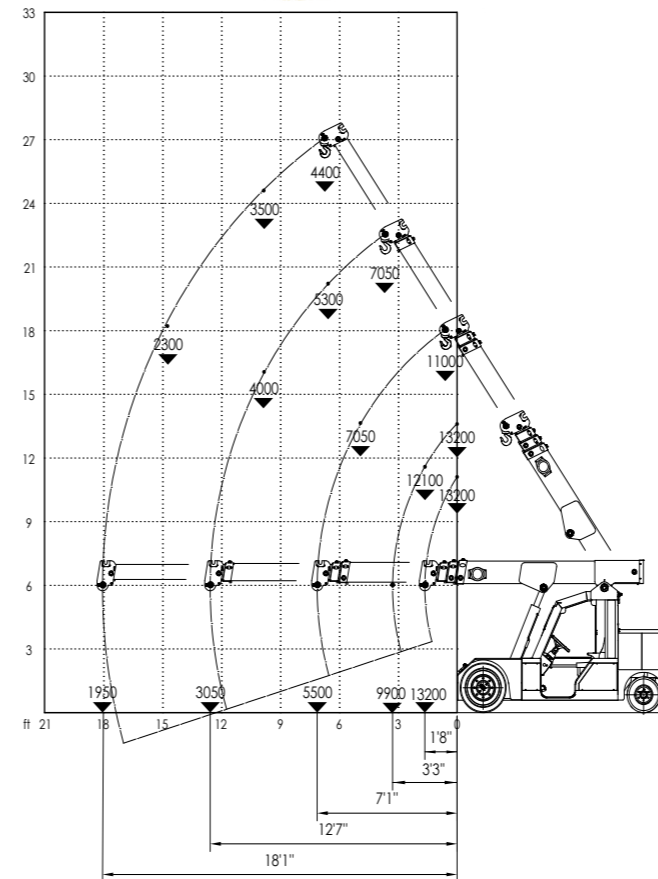


SAFETY BUTTON

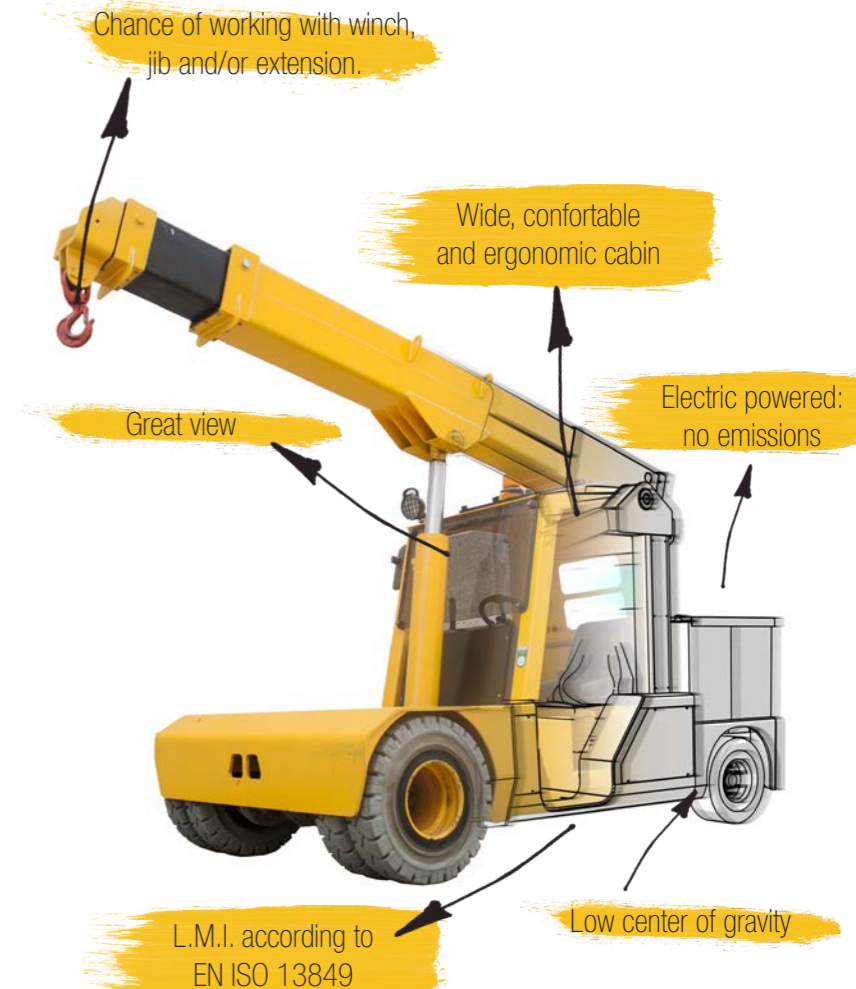
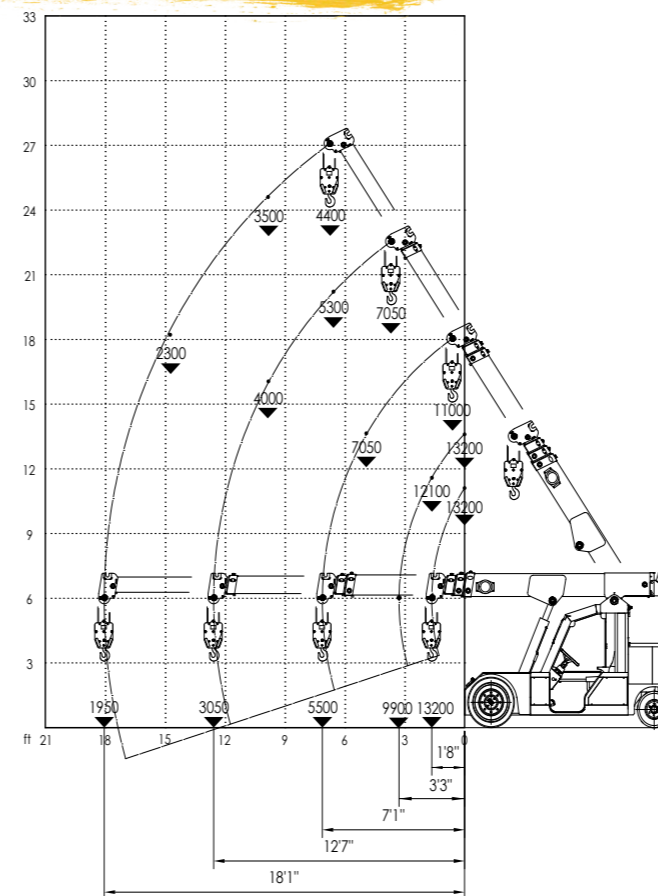


TELESCOPIC BOOM

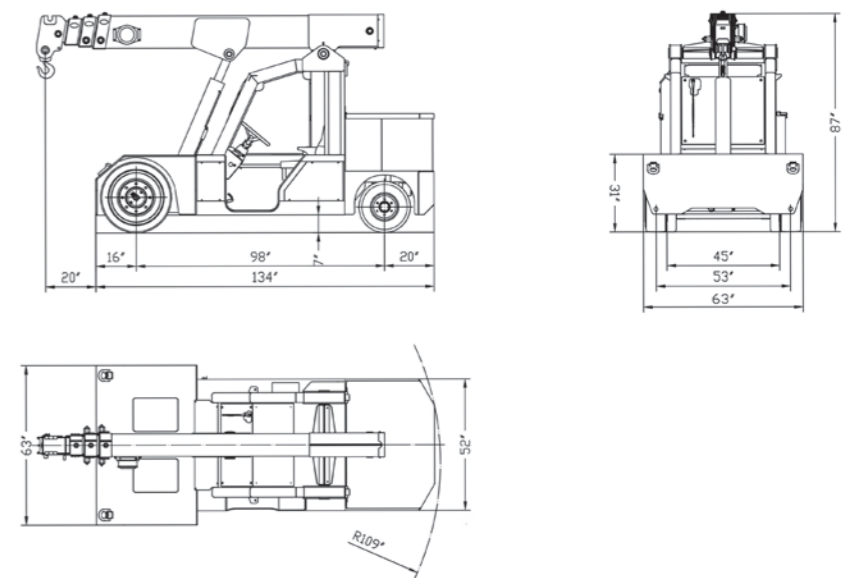
## HOOK



## HYDRAULIC WINCH



## DIMENSIONS



# LIGE