

Data subject to change without prior notice
Edition 04/2020 © 2020 JMG Cranes S.p.A. All rights reserved



Electric Pick & Carry Cranes

JMG Cranes S.p.A.

Sales & Service Office

Via Bergamo, 142

26100 Cremona - Italy

t +39 0372 1786738

Production Plant

Via Sito Nuovo 14

29010 Sarmato (PC) - Italy

t +39 0523 8486

e info@jmgcranes.com



**MC100
HYBRID (metric)**

**Max Capacity
22,000 lbs**

www.jmgcranes.com

JMG[®]
movetosolution

MC 100 HYBRID

SELF-PROPELLED HYBRID CRANE WITH DIESEL GENERATOR FOR BATTERY CHARGING WHILE THE CRANE IS OPERATING

FRONT-WHEELS DRIVE WITH COUNTER ROTATION

HYDRAULICALLY TELESCOPING PROPORTIONALLY TYPE BOOM

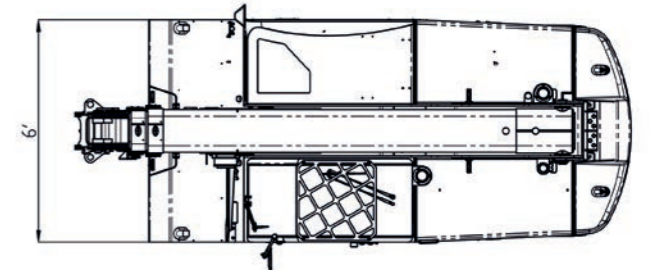
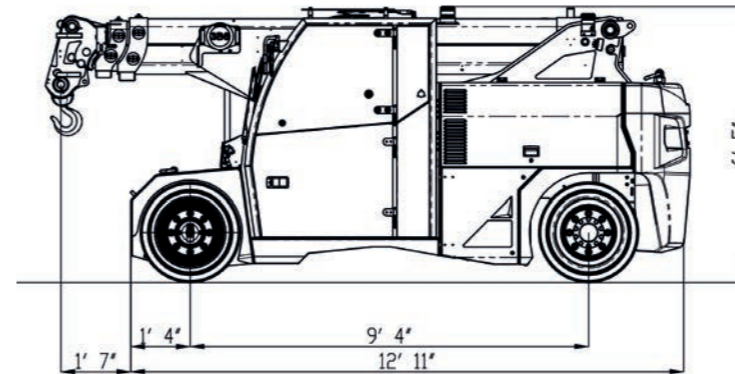
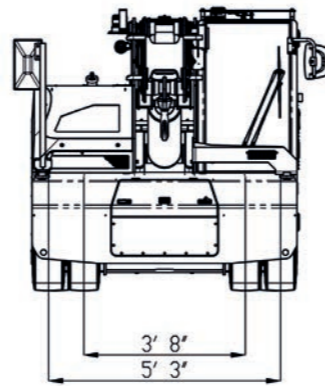
FULL ELECTRIC



Technical features

Max Capacity lbs	22,000	Front-wheels drive. N°2 electric motors AC 7,5 kW 80V. Insulation class H	LMI Electronic safe load indicator and tilting moment limiter
	Dimension inches	156x73x78	Total lbs 23.600
Dimension inches		Front nr. 4 superelastic 250x15/15" Rear nr. 2 superelastic 250x15/15"	Fabricated from preformed and welded quality steel plate
	+63°/-10°		
Dimension inches	Rear through steering axle Steering angle -90/+90	Motor driven pump 1x16 kW-72 V AC	

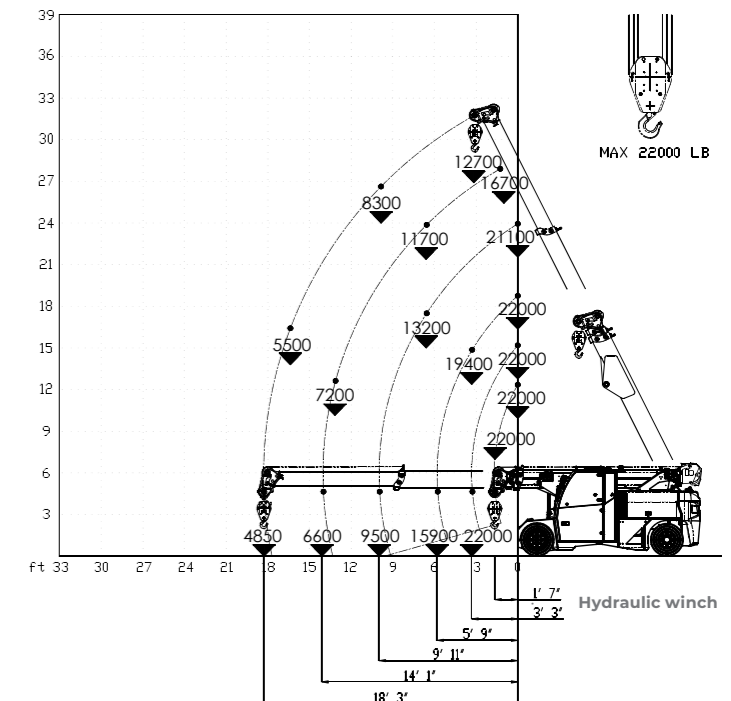
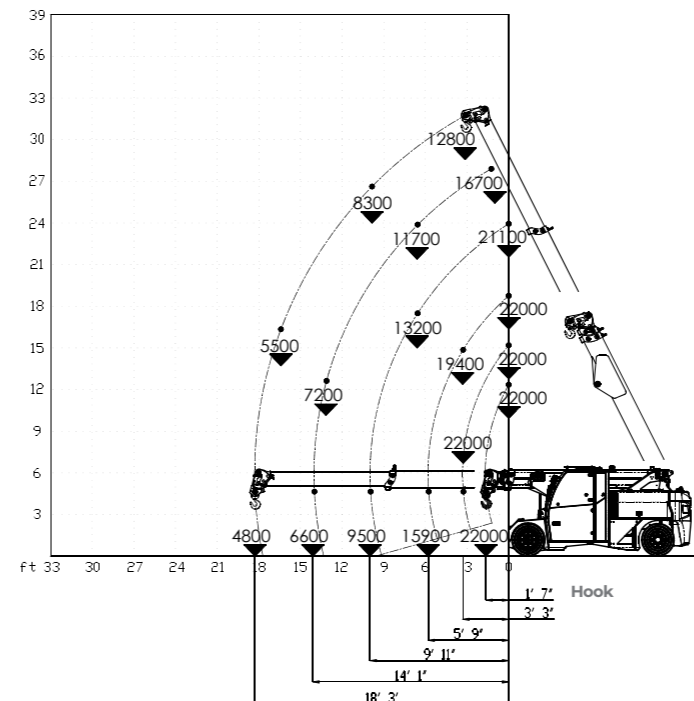
Dimensions



Options :

- HYDRAULIC WINCH
- HYDRAULIC JIB WITH HYDRAULIC EXTENSION
- BENDABLE MANUAL JIB WITH MANUAL EXTENSION
- NON-MARKING TIRES
- RADIO REMOTE CONTROL
- HYDRAULIC FORKS
- MAN BUCKET
- ATEX CONVERSIONS
- CUSTOMIZED PAINTING

Load charts

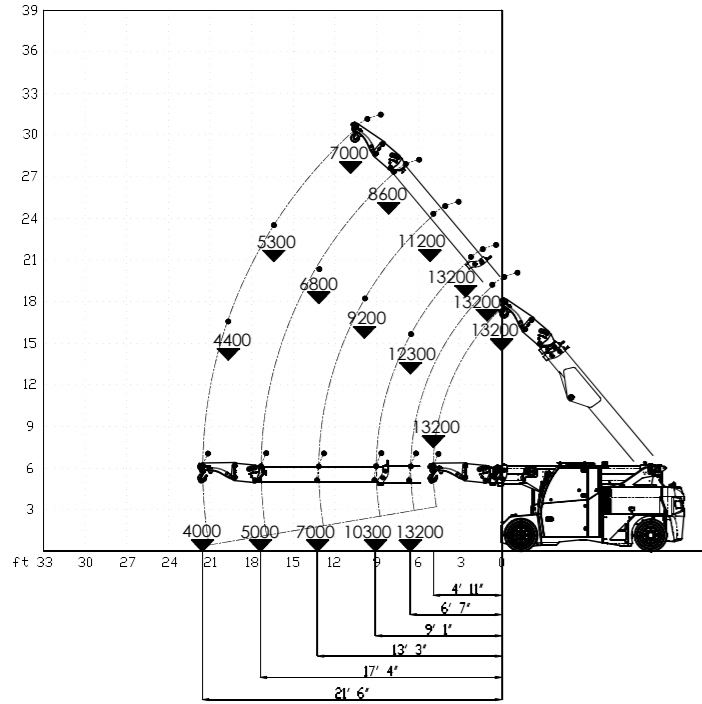


EU Standards CE

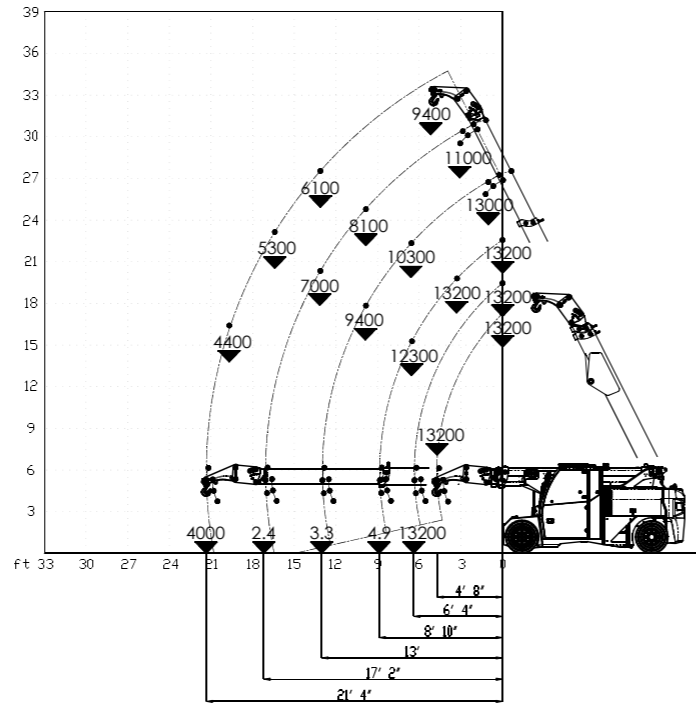
	UNI ISO 4301-2: A1
	2006/42 CE-2014/30 UE-2014/35 UE- 2000/14 and subsequent modifications
	EN 13000:2014 ANSI/ASME B30.5-2011 and subsequent modifications

MC 100 HYBRID

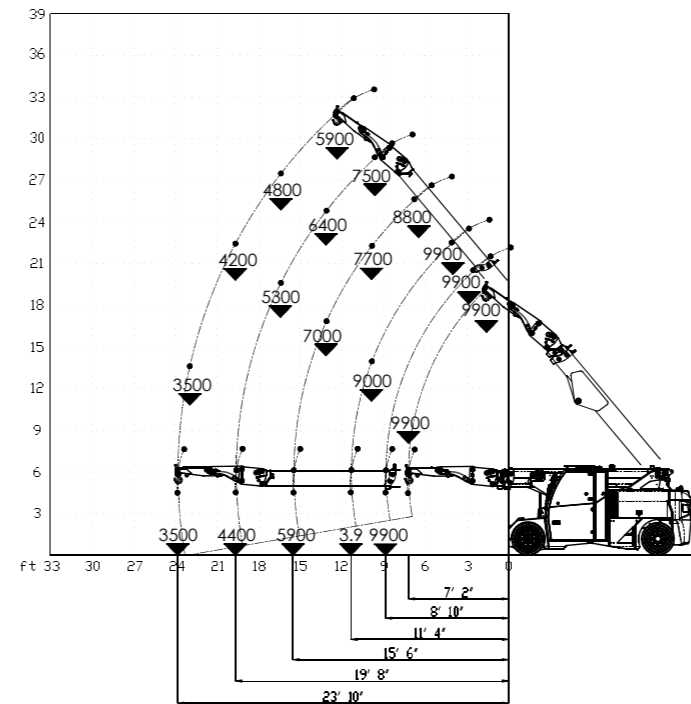
Mechanic jib 13,200 lbs Hook up



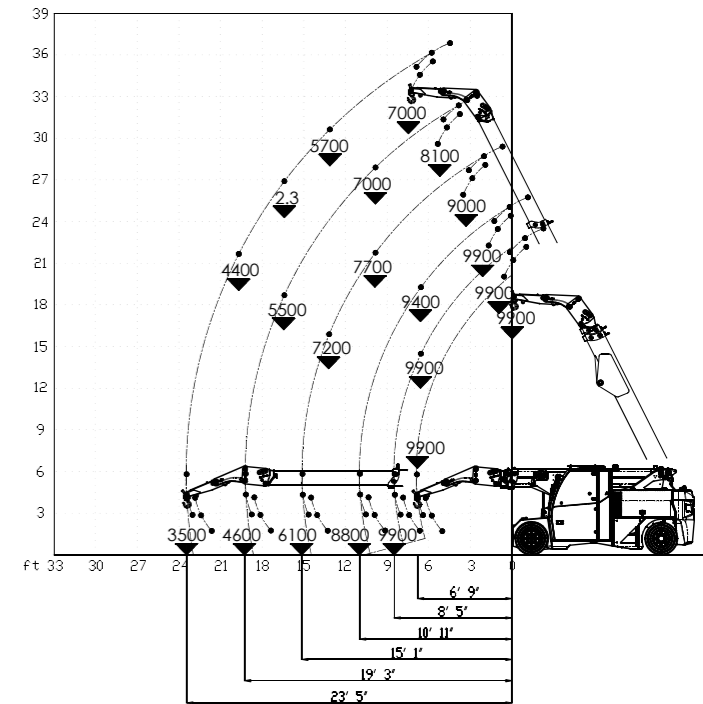
Mechanic jib 13,200 lbs Hook down



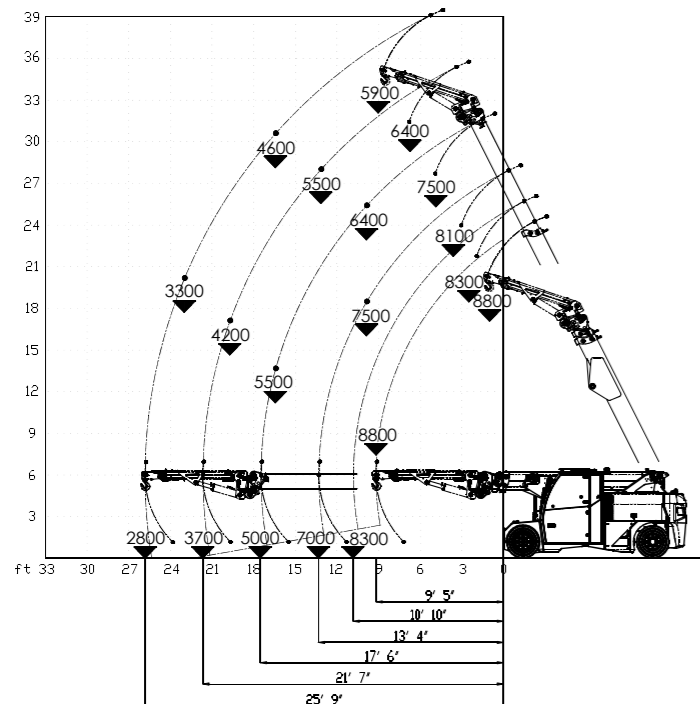
Mechanic jib extension 9,900 lbs hook up



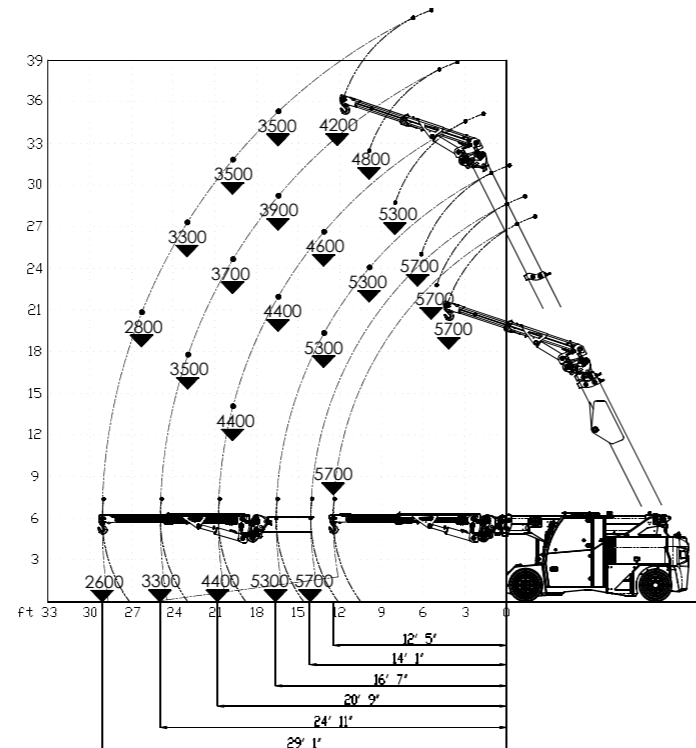
Mechanic jib extension 9,900 lbs hook down



Short close hydraulic jib



Short open hydraulic jib



Hydraulic forks 13,200 lbs

