

Data subject to change without prior notice  
Edition 10/2020 © 2020 JMG Cranes S.p.A. All rights reserved  
Rev. 0 - 10/2020



## Electric Pick & Carry Cranes

### JMG Cranes S.p.A.

Sales & Service Office

Via Bergamo, 142

26100 Cremona - Italy

t +39 0372 1786738

Production Plant

Via Sito Nuovo 14

29010 Sarmato (PC) - Italy

t +39 0523 8486

e info@jmgcranes.com



**MC 700MT (metric)**

**Max Capacity  
154,000 lbs**

[www.jmgcranes.com](http://www.jmgcranes.com)

**JMG**<sup>®</sup>  
movetosolution

# MC 700MT

DOUBLE HYDRAULIC BOOM WITH PROPORTIONAL 3-SECTION EXTENSION

FRONT-WHEELS DRIVE WITH COUNTER ROTATION

REMOVABLE COUNTERWEIGHTS

180° REAR STEERING

55,12" INCHES EXTENDIBLE REAR AXLE

### Optionals:

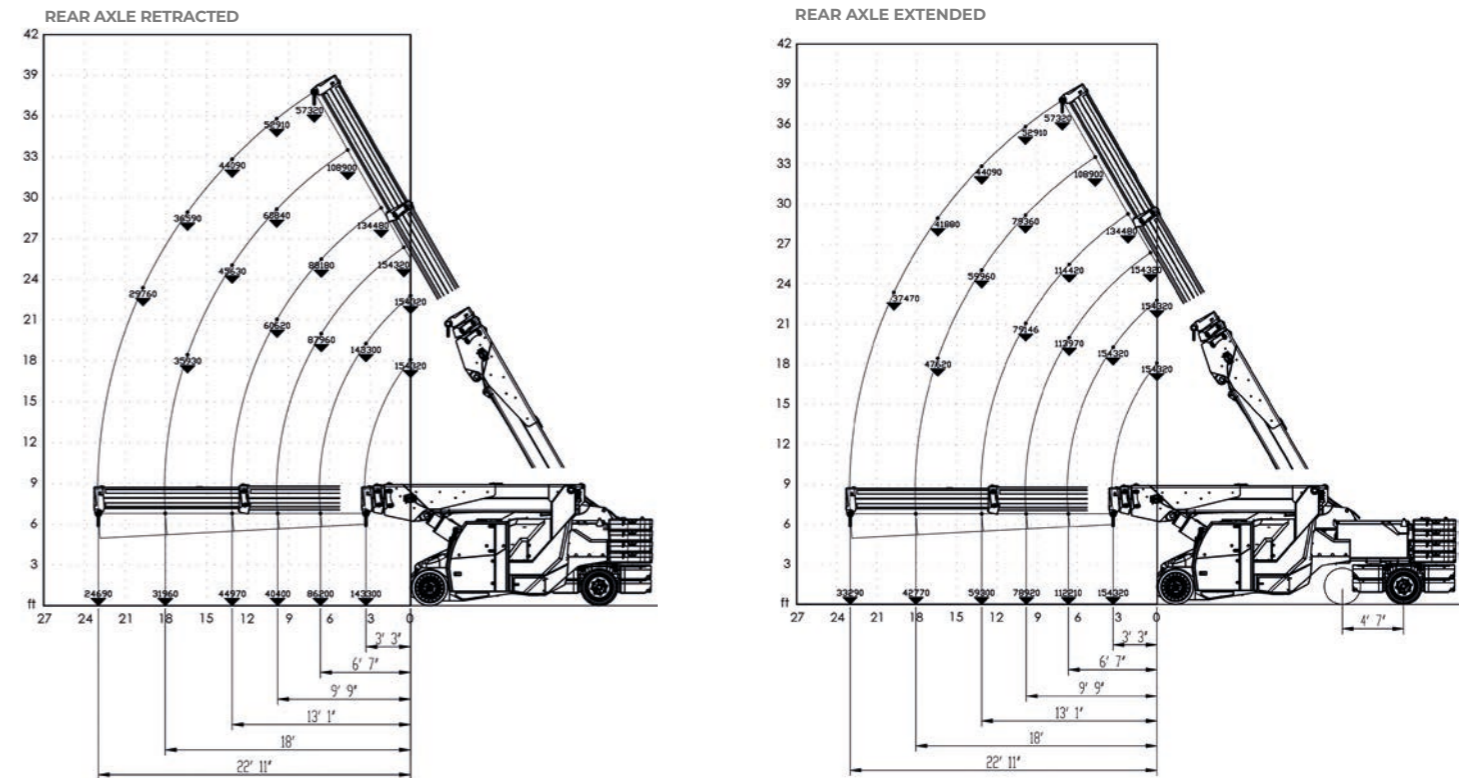
- RADIO REMOTE CONTROL
- CUSTOMIZED PAINTING



## Technical features

Max Capacity lbs	154,000	Front-wheels drive. N°2 electric motors AC 12 kW 96V AC. Insulation class H	<b>L.M.I.</b> Electronic safe load indicator and tilting moment limiter
	Dimensions inch	17'8"x7'10"x9'17"	Total lbs 99,000 Removable counterweights lbs 39,900
96 V - 1720 Ah 8 working hours		Front n.4 polyurethane 800x410x674" Rear n.4 superelastic 355/50-20"	Hydraulically foot controlled service brake on all wheels, hydraulically automatic or button controlled parking brake on front wheels
Rear drive with hydraulic steering and 45 kW dedicated pump. Steering angle -90°/+90°	+62°/-5°	Fabricated from preformed and welded quality steel plate	Motor driven pump. 2x45 kW - 96 V AC. Insulation class H

### Load charts



### EU Standards CE

	Classification UNI ISO 4030-1: A3
	EU Standards CE 2006/42 CE MD-2014/30 CE EMC - 2014/35 CE LVD - 2000/14 and subsequent modifications
	Relevant regulations EN 13000:2014 UNI ISO 4301-2:2011 and subsequent modifications

### Dimensions

